



## MOUNTING NUTS

### Stud Nut

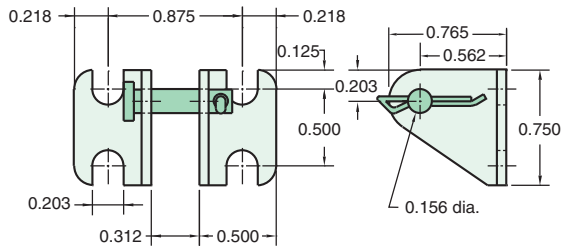
Part Number	Across Flats	Nut Thickness	Nut (Thread)
<b>N06-24A</b>	9/16"	7/32"	3/8-24
<b>N06-24B</b>	1/2"	3/32"	3/8-24
<b>N07-20</b>	11/16"	1/4"	7/16-20

### Rod Nut

Part Number	Across Flats	Nut Thickness	Nut (Thread)
<b>N03-32</b>	3/8"	1/8"	#10-32

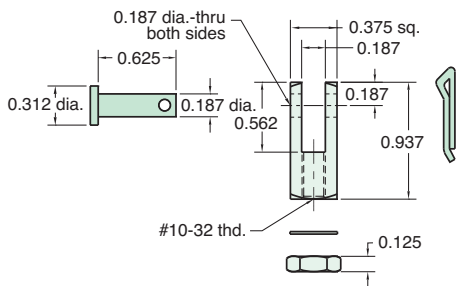
### CB-0895

Clevis Bracket  
Material: Steel, bright zinc plated



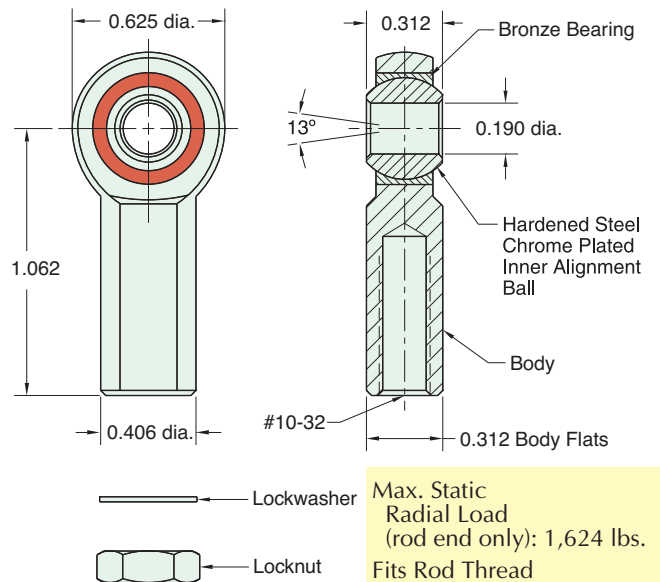
### RC-0881

Rod Clevis  
Material: Steel, electroless nickel plate



### RE-0885

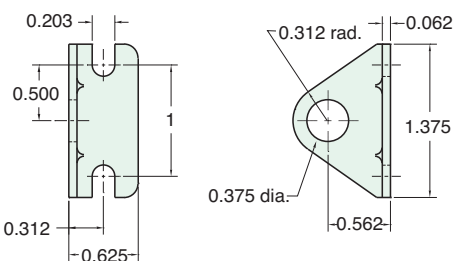
Rod End  
Material: Steel, bright zinc plated body



Max. Static Radial Load (rod end only): 1,624 lbs.  
Fits Rod Thread Size: #10-32

### FB-0891

Foot Bracket  
Material: Steel, bright zinc plated



### FB-0892

Foot Bracket  
Material: Steel, bright zinc plated

